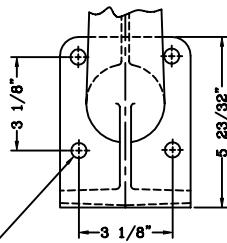
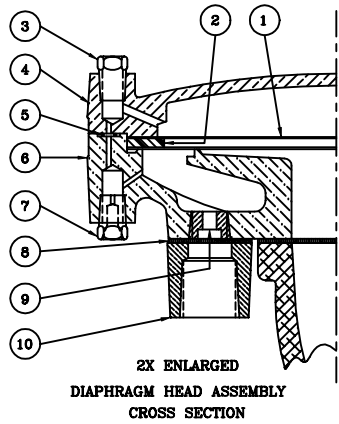
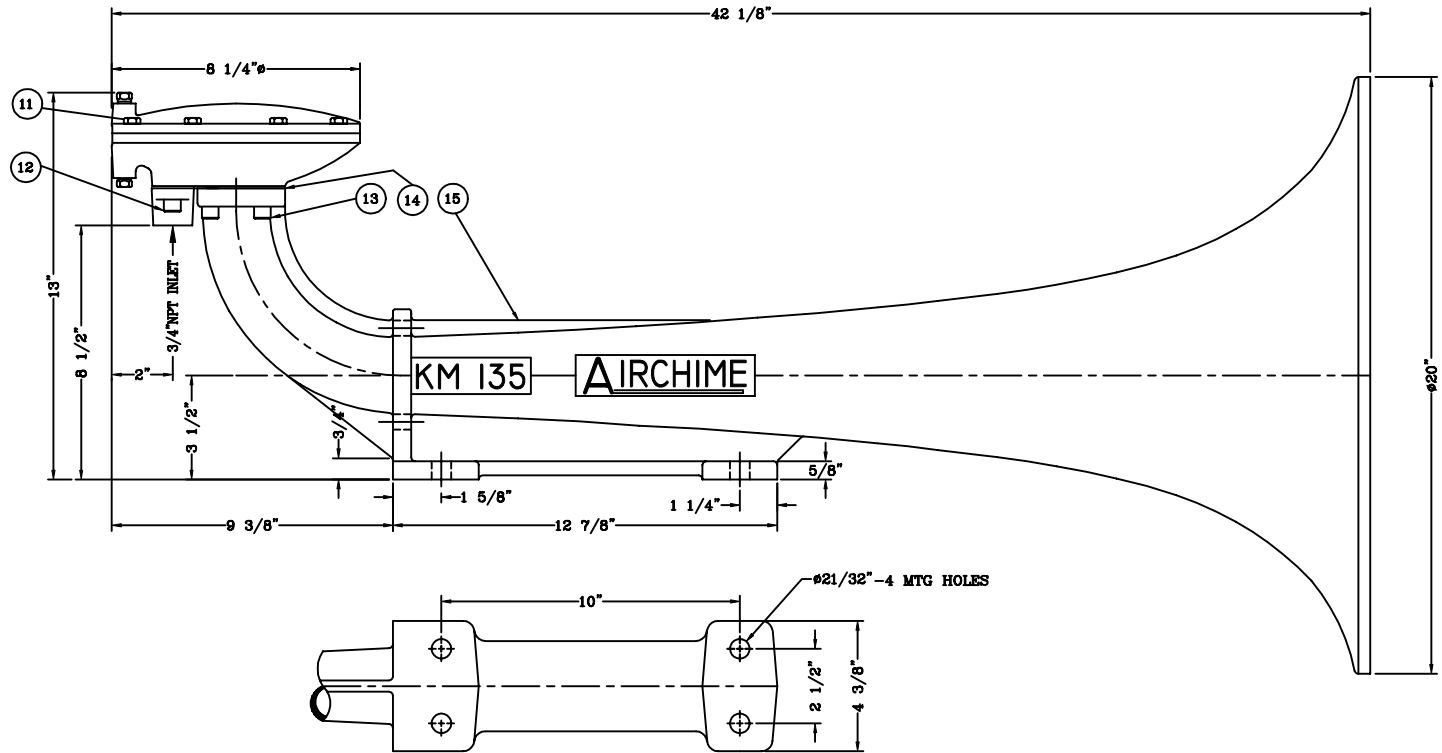


REVISIONS			
REV	DESCRIPTION	DATE (YR-MO-DA)	APPROVED



#17/32"-4 HOLES @ 90° ON 4 7/16"
B.C.D. FOR ENCLOSURE ATTACHMENT
ON "EN" ENCLOSED & HEATED MODELS



• RECOMMENDED SPARE PARTS

REF	PART	DESCRIPTION	MATERIAL	SPECIFICATION	QTY
• 1	32111	DIAPHRAGM DISC	STAINLESS STEEL	UNS S30100	2
• 2	32112	CUSHION RING	SILICONE RUBBER	ASTM D2000 FC-FE	1
• 3	10842	PIPE PLUG	STAINLESS STEEL	UNS S31600	1
• 4	32090	DIAPHRAGM CAP	CAST ALUMINUM	UNS A05352	1
• 5	32164	O RING	BUNA N	MIL STD 417 SB	1
• 6	32092	DIAPHRAGM HEAD	CAST ALUMINUM	UNS A05352	1
• 7	10843	LEAK PLUG	STAINLESS STEEL	UNS S31600	1
• 8	32108	INLET GASKET	POLY-FIBRE, TN-9000	ASTM F104	1
• 9	10839	RESTRICTOR	STAINLESS STEEL	UNS S30400	1
• 10	32095	INLET FLANGE	CAST ALUMINUM	UNS A05352	1
• 11	13105	HEX HEAD CAP SCREW	STAINLESS STEEL	ASTM F593C	8
• 12	32115	SOCKET HEAD CAP SCREW	STAINLESS STEEL	ASTM F837-91	2
• 13	32114	SOCKET HEAD CAP SCREW	STAINLESS STEEL	ASTM F837-91	4
• 14	32107	HEAD GASKET	POLY FIBRE, TN-9000	ASTM F104	1
• 15	32121	BELL No. 135	CAST ALUMINUM	UNS A13562 T6	1

NOTE:

EXCEPT FOR HOLE CENTRES, ALL DIMENSIONS ARE FOR REFERENCE PURPOSE ONLY
FINISH: PRIMED AND COATED TWICE WITH GREY MARINE ENAMEL PAINT

CONFIDENTIAL

INFORMATION CONTAINED HEREIN IS CONFIDENTIAL, IT IS THE PROPERTY OF AIRCHIME MFG. CO. LTD., IT IS TO BE USED SOLELY FOR THE PURPOSE PROVIDED, AND IT IS NOT TO BE DISCLOSED TO OTHERS WITHOUT THE PRIOR WRITTEN CONSENT OF AIRCHIME MANUFACTURING COMPANY LIMITED.

© Copyright Airchime Mfg. Co. Ltd. 1994

CONTRACT NUMBER

CONTRACTOR

DRAWN BY: L.H.F. DATE (YR-MO-DA) 97-09-23

CHECKER: R.C. APPROVED: B.W.C.

DRAWING STATUS: UNCONTROLLED & ACTIVE

DRAWING TYPE: ASSEMBLY



AIRCHIME MANUFACTURING CO. LTD.
LANGLEY, B.C. CANADA
V4W 3S8

MODEL KM-135 AIR WHISTLE
ASSEMBLY AND DIMENSIONS

SIZE A NSCM 36575

DRAWING NUMBER: 32236

SCALE: NONE UNIT WT: 38 LBS SHEET: 1 OF 1